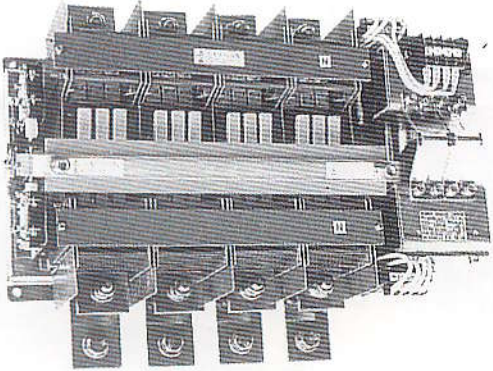
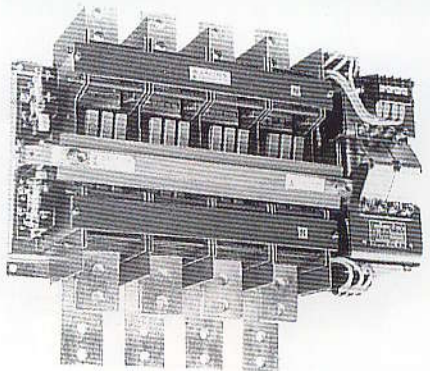
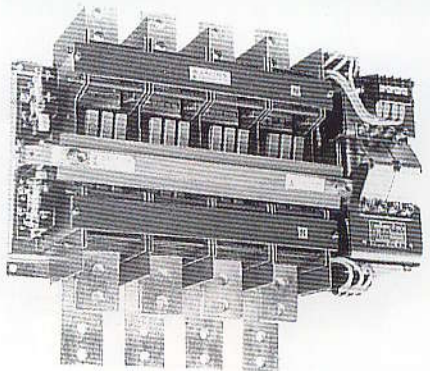
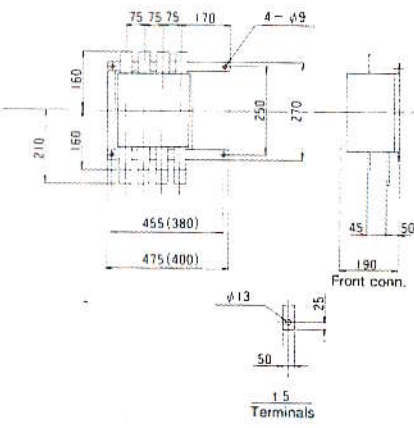
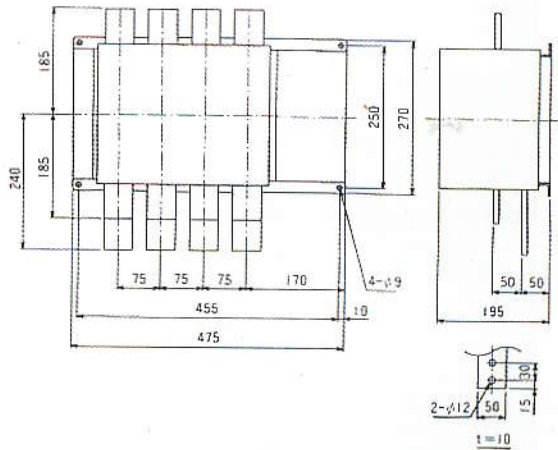


650 MZ		660 MZ		660 MZ	
					
660 V		660 V		660 V	
500 A		600A		800 A	
450 A		550 A		750 A	
400 A		500 A		700 A	
20000 A		20000 A		20000 A	
Class 4 (250000 times)					
Class 4 (50000 times)					
NO. 4 (150times / hr)					
2750 V AC 1min (50 / 60 Hz)					
2100 V AC 1min (50 / 60 Hz)					
3P	4P	3P	4P	3P	4P
7.1	11	7.1	11	7.1	11
4.6	8.9	4.6	8.9	4.6	8.9
3.2	5.5	3.2	5.5	3.2	5.5
Class A					
2NO - 2NC as standard (switching capacity 200V AC 15A)					
BS 5424 IEC 947-6-1 IEC 158-1 JEM 1038					
					
26	30	26	30	35	42
Phase N is designed for early make and late break 6200MZ & 6300MZ is back wiring only					