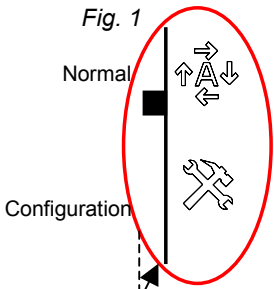


704 INSTALLATION INSTRUCTIONS

Configuration Mode is selected by operation of a small switch on the rear, left-hand edge of the PCB. This is partially hidden to prevent accidental operation. See *figs 1 and 2*



Once Configuration Mode is selected, the 'Auto' LED will commence rapid flashing. When in Configuration Mode all normal operation is suspended.

The 'Stop' pushbutton can be used to select the LED 'code' that corresponds to the required function. The 5 left hand LED's will form the code.

The 'Manual' pushbutton will allow the user to change the function parameters. The 3 right-hand LED's inform the user of the current setting for the chosen function.

When the required parameters are displayed, pressing the 'Auto' button will save the new setting. The process is repeated for each function change.

When configuration is complete, the Configuration Mode Selector Switch should be returned to the 'Normal' position.

A key to all configuration options is provided overleaf on the Functions and Parameters table.

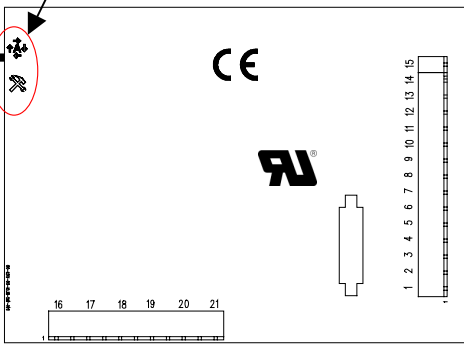


Fig. 2
Reverse of 704

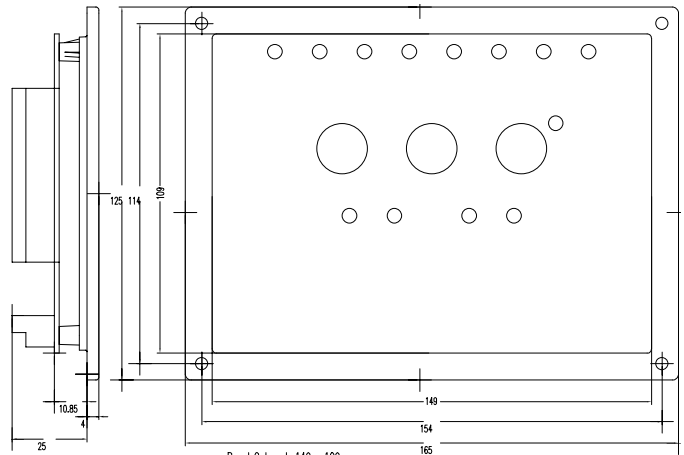
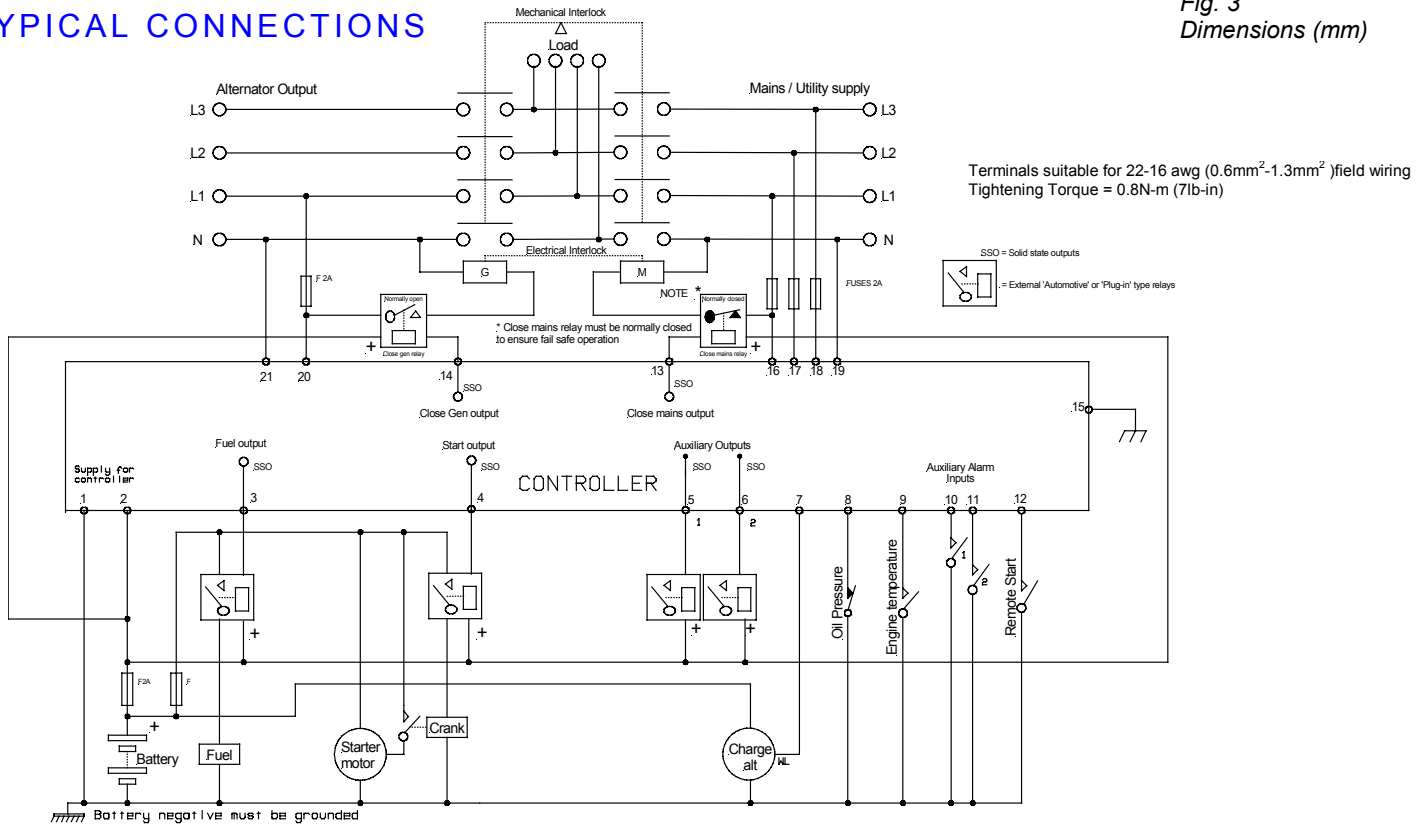


Fig. 3
Dimensions (mm)

TYPICAL CONNECTIONS



Deep Sea Electronics plc

Highfield House, Hunmanby Industrial Estate, North Yorkshire, YO14 0PH, England
Tel: +44 (0) 1723 890099 Fax: +44 (0) 1723 893303 E-mail sales@deepseapl.com

FUNCTIONS AND CONFIGURATION TABLE										
Function							I 1	I 2	Value (Default in <i>Italics</i>)	
Pre-heat Timer	<input type="checkbox"/>	<input type="checkbox"/>	<input type="checkbox"/>	<input type="checkbox"/>	<input type="checkbox"/>	<input checked="" type="checkbox"/>	<input type="checkbox"/>	<input type="checkbox"/>	<i>0 Seconds</i>	
							<input type="checkbox"/>	<input type="checkbox"/>	5 Seconds	
							<input type="checkbox"/>	<input checked="" type="checkbox"/>	10 Seconds	
							<input type="checkbox"/>	<input checked="" type="checkbox"/>	15 Seconds	
							<input checked="" type="checkbox"/>	<input type="checkbox"/>	20 Seconds	
							<input checked="" type="checkbox"/>	<input type="checkbox"/>	30 Seconds	
							<input checked="" type="checkbox"/>	<input type="checkbox"/>	60 Seconds	
							<input checked="" type="checkbox"/>	<input checked="" type="checkbox"/>	180 Seconds	
Start Delay	<input type="checkbox"/>	<input type="checkbox"/>	<input type="checkbox"/>	<input type="checkbox"/>	<input checked="" type="checkbox"/>	<input type="checkbox"/>	<input type="checkbox"/>	<input type="checkbox"/>	<i>0 Seconds</i>	
							<input type="checkbox"/>	<input type="checkbox"/>	5 Seconds	
							<input type="checkbox"/>	<input checked="" type="checkbox"/>	10 Seconds	
							<input type="checkbox"/>	<input checked="" type="checkbox"/>	15 Seconds	
							<input checked="" type="checkbox"/>	<input type="checkbox"/>	20 Seconds	
							<input checked="" type="checkbox"/>	<input type="checkbox"/>	30 Seconds	
							<input checked="" type="checkbox"/>	<input type="checkbox"/>	60 Seconds	
							<input checked="" type="checkbox"/>	<input checked="" type="checkbox"/>	180 Seconds	
Stop Delay	<input type="checkbox"/>	<input type="checkbox"/>	<input type="checkbox"/>	<input checked="" type="checkbox"/>	<input type="checkbox"/>	<input checked="" type="checkbox"/>	<input type="checkbox"/>	<input type="checkbox"/>	<i>0 Seconds</i>	
							<input type="checkbox"/>	<input type="checkbox"/>	5 Seconds	
							<input type="checkbox"/>	<input checked="" type="checkbox"/>	10 Seconds	
							<input type="checkbox"/>	<input checked="" type="checkbox"/>	15 Seconds	
							<input checked="" type="checkbox"/>	<input type="checkbox"/>	20 Seconds	
							<input checked="" type="checkbox"/>	<input type="checkbox"/>	30 Seconds	
							<input checked="" type="checkbox"/>	<input type="checkbox"/>	60 Seconds	
							<input checked="" type="checkbox"/>	<input checked="" type="checkbox"/>	180 Seconds	
Energise to Stop Timer	<input type="checkbox"/>	<input type="checkbox"/>	<input checked="" type="checkbox"/>	<input type="checkbox"/>	<input type="checkbox"/>	<input type="checkbox"/>	<input type="checkbox"/>	<input type="checkbox"/>	<i>0 Seconds</i>	
							<input type="checkbox"/>	<input type="checkbox"/>	5 Seconds	
							<input type="checkbox"/>	<input checked="" type="checkbox"/>	10 Seconds	
							<input type="checkbox"/>	<input checked="" type="checkbox"/>	15 Seconds	
							<input checked="" type="checkbox"/>	<input type="checkbox"/>	20 Seconds	
							<input checked="" type="checkbox"/>	<input type="checkbox"/>	30 Seconds	
							<input checked="" type="checkbox"/>	<input type="checkbox"/>	60 Seconds	
							<input checked="" type="checkbox"/>	<input checked="" type="checkbox"/>	180 Seconds	
Warm-up Timer	<input type="checkbox"/>	<input type="checkbox"/>	<input checked="" type="checkbox"/>	<input type="checkbox"/>	<input type="checkbox"/>	<input checked="" type="checkbox"/>	<input type="checkbox"/>	<input type="checkbox"/>	<i>0 Seconds</i>	
							<input type="checkbox"/>	<input type="checkbox"/>	5 Seconds	
							<input type="checkbox"/>	<input checked="" type="checkbox"/>	10 Seconds	
							<input type="checkbox"/>	<input checked="" type="checkbox"/>	15 Seconds	
							<input checked="" type="checkbox"/>	<input type="checkbox"/>	20 Seconds	
							<input checked="" type="checkbox"/>	<input type="checkbox"/>	30 Seconds	
							<input checked="" type="checkbox"/>	<input type="checkbox"/>	60 Seconds	
							<input checked="" type="checkbox"/>	<input checked="" type="checkbox"/>	180 Seconds	
Cooling Timer	<input type="checkbox"/>	<input type="checkbox"/>	<input checked="" type="checkbox"/>	<input checked="" type="checkbox"/>	<input type="checkbox"/>	<input type="checkbox"/>	<input type="checkbox"/>	<input type="checkbox"/>	<i>0 Seconds</i>	
							<input type="checkbox"/>	<input type="checkbox"/>	5 Seconds	
							<input type="checkbox"/>	<input checked="" type="checkbox"/>	10 Seconds	
							<input type="checkbox"/>	<input checked="" type="checkbox"/>	15 Seconds	
							<input checked="" type="checkbox"/>	<input type="checkbox"/>	20 Seconds	
							<input checked="" type="checkbox"/>	<input type="checkbox"/>	30 Seconds	
							<input checked="" type="checkbox"/>	<input type="checkbox"/>	60 Seconds	
							<input checked="" type="checkbox"/>	<input checked="" type="checkbox"/>	180 Seconds	
Nominal Frequency	<input type="checkbox"/>	<input checked="" type="checkbox"/>	<input type="checkbox"/>	<input type="checkbox"/>	<input type="checkbox"/>	<input type="checkbox"/>	<input type="checkbox"/>	<input type="checkbox"/>	50 Hz (O/S +14% / Overshoot +24%) 60 Hz (O/S +14% / Overshoot +24%)	
Nominal DC Voltage	<input type="checkbox"/>	<input checked="" type="checkbox"/>	<input type="checkbox"/>	<input type="checkbox"/>	<input checked="" type="checkbox"/>	<input type="checkbox"/>	<input type="checkbox"/>	<input type="checkbox"/>	12V DC (CF 8V) 24V DC (CF 16V)	
LOP Switch Contact	<input type="checkbox"/>	<input checked="" type="checkbox"/>	<input type="checkbox"/>	<input checked="" type="checkbox"/>	<input type="checkbox"/>	<input type="checkbox"/>	<input type="checkbox"/>	<input type="checkbox"/>	Close on Fault Open on Fault	
HET Switch Contact	<input type="checkbox"/>	<input checked="" type="checkbox"/>	<input type="checkbox"/>	<input checked="" type="checkbox"/>	<input checked="" type="checkbox"/>	<input type="checkbox"/>	<input type="checkbox"/>	<input type="checkbox"/>	Close on Fault Open on Fault	
Crank disconnect on Oil Pressure	<input type="checkbox"/>	<input checked="" type="checkbox"/>	<input checked="" type="checkbox"/>	<input type="checkbox"/>	<input type="checkbox"/>	<input type="checkbox"/>	<input type="checkbox"/>	<input type="checkbox"/>	Disabled Enabled (2 Second Delay)	
Underspeed detection	<input type="checkbox"/>	<input checked="" type="checkbox"/>	<input checked="" type="checkbox"/>	<input type="checkbox"/>	<input checked="" type="checkbox"/>	<input type="checkbox"/>	<input type="checkbox"/>	<input type="checkbox"/>	Disabled Enabled (U/S -20%)	
Remote start function	<input type="checkbox"/>	<input checked="" type="checkbox"/>	<input checked="" type="checkbox"/>	<input checked="" type="checkbox"/>	<input type="checkbox"/>	<input type="checkbox"/>	<input type="checkbox"/>	<input type="checkbox"/>	Remote start Simulated mains	
Remote start on load (ignore if simulated mains)	<input type="checkbox"/>	<input checked="" type="checkbox"/>	<input checked="" type="checkbox"/>	<input checked="" type="checkbox"/>	<input checked="" type="checkbox"/>	<input type="checkbox"/>	<input type="checkbox"/>	<input type="checkbox"/>	Remote start is off load Remote start is on load	
Auxiliary Input 1 Function	<input checked="" type="checkbox"/>	<input type="checkbox"/>	<input type="checkbox"/>	<input type="checkbox"/>	<input type="checkbox"/>	<input type="checkbox"/>	<input type="checkbox"/>	<input type="checkbox"/>	<input type="checkbox"/>	Immediate Warning Close on Fault
							<input type="checkbox"/>	<input type="checkbox"/>	<input checked="" type="checkbox"/>	Immediate Warning Open on Fault
							<input type="checkbox"/>	<input checked="" type="checkbox"/>	<input type="checkbox"/>	Immediate Shutdown Close on Fault
							<input type="checkbox"/>	<input checked="" type="checkbox"/>	<input checked="" type="checkbox"/>	Immediate Shutdown Open on Fault
							<input checked="" type="checkbox"/>	<input type="checkbox"/>	<input type="checkbox"/>	Delayed Warning Close on Fault
							<input checked="" type="checkbox"/>	<input type="checkbox"/>	<input checked="" type="checkbox"/>	Delayed Warning Open on Fault
							<input checked="" type="checkbox"/>	<input type="checkbox"/>	<input type="checkbox"/>	Delayed Shutdown Close on Fault
							<input checked="" type="checkbox"/>	<input checked="" type="checkbox"/>	<input type="checkbox"/>	Delayed Shutdown Open on Fault
Auxiliary Input 2 Function	<input checked="" type="checkbox"/>	<input type="checkbox"/>	<input type="checkbox"/>	<input type="checkbox"/>	<input type="checkbox"/>	<input checked="" type="checkbox"/>	<input type="checkbox"/>	<input type="checkbox"/>	<input type="checkbox"/>	Immediate Warning Close on Fault
							<input type="checkbox"/>	<input type="checkbox"/>	<input checked="" type="checkbox"/>	Immediate Warning Open on Fault
							<input type="checkbox"/>	<input checked="" type="checkbox"/>	<input type="checkbox"/>	Immediate Shutdown Close on Fault
							<input type="checkbox"/>	<input checked="" type="checkbox"/>	<input checked="" type="checkbox"/>	Immediate Shutdown Open on Fault
							<input checked="" type="checkbox"/>	<input type="checkbox"/>	<input type="checkbox"/>	Delayed Warning Close on Fault
							<input checked="" type="checkbox"/>	<input type="checkbox"/>	<input checked="" type="checkbox"/>	Delayed Warning Open on Fault
							<input checked="" type="checkbox"/>	<input type="checkbox"/>	<input type="checkbox"/>	Delayed Shutdown Close on Fault
							<input checked="" type="checkbox"/>	<input checked="" type="checkbox"/>	<input type="checkbox"/>	Delayed Shutdown Open on Fault
Auxiliary Output 1 Function	<input checked="" type="checkbox"/>	<input type="checkbox"/>	<input type="checkbox"/>	<input checked="" type="checkbox"/>	<input type="checkbox"/>	<input type="checkbox"/>	<input type="checkbox"/>	<input type="checkbox"/>	<input type="checkbox"/>	Not used
							<input type="checkbox"/>	<input type="checkbox"/>	<input checked="" type="checkbox"/>	Pre-heat
							<input type="checkbox"/>	<input checked="" type="checkbox"/>	<input type="checkbox"/>	Engine Running
							<input type="checkbox"/>	<input checked="" type="checkbox"/>	<input checked="" type="checkbox"/>	Common Warning
							<input checked="" type="checkbox"/>	<input type="checkbox"/>	<input type="checkbox"/>	Common Shutdown
							<input checked="" type="checkbox"/>	<input type="checkbox"/>	<input checked="" type="checkbox"/>	System in Auto
							<input checked="" type="checkbox"/>	<input checked="" type="checkbox"/>	<input type="checkbox"/>	Common Alarm
							<input checked="" type="checkbox"/>	<input checked="" type="checkbox"/>	<input checked="" type="checkbox"/>	Energise to Stop
Auxiliary Output 2 Function	<input checked="" type="checkbox"/>	<input type="checkbox"/>	<input type="checkbox"/>	<input checked="" type="checkbox"/>	<input checked="" type="checkbox"/>	<input type="checkbox"/>	<input type="checkbox"/>	<input type="checkbox"/>	<input type="checkbox"/>	Not used
							<input type="checkbox"/>	<input type="checkbox"/>	<input checked="" type="checkbox"/>	Pre-heat
							<input type="checkbox"/>	<input checked="" type="checkbox"/>	<input type="checkbox"/>	Engine Running
							<input type="checkbox"/>	<input checked="" type="checkbox"/>	<input checked="" type="checkbox"/>	Common Warning
							<input checked="" type="checkbox"/>	<input type="checkbox"/>	<input type="checkbox"/>	Common Shutdown
							<input checked="" type="checkbox"/>	<input type="checkbox"/>	<input checked="" type="checkbox"/>	System in Auto
							<input checked="" type="checkbox"/>	<input checked="" type="checkbox"/>	<input type="checkbox"/>	Common Alarm
							<input checked="" type="checkbox"/>	<input checked="" type="checkbox"/>	<input checked="" type="checkbox"/>	Energise to Stop
Mains Under Voltage	<input checked="" type="checkbox"/>	<input type="checkbox"/>	<input checked="" type="checkbox"/>	<input type="checkbox"/>	<input type="checkbox"/>	<input type="checkbox"/>	<input type="checkbox"/>	<input type="checkbox"/>	<input type="checkbox"/>	60V / 70V
							<input type="checkbox"/>	<input type="checkbox"/>	<input checked="" type="checkbox"/>	70V / 80V
							<input type="checkbox"/>	<input checked="" type="checkbox"/>	<input type="checkbox"/>	80V / 90V
							<input type="checkbox"/>	<input checked="" type="checkbox"/>	<input checked="" type="checkbox"/>	90V / 100V
							<input checked="" type="checkbox"/>	<input type="checkbox"/>	<input type="checkbox"/>	120V / 140V
							<input checked="" type="checkbox"/>	<input type="checkbox"/>	<input checked="" type="checkbox"/>	140V / 160V
							<input checked="" type="checkbox"/>	<input checked="" type="checkbox"/>	<input type="checkbox"/>	160V / 180V
							<input checked="" type="checkbox"/>	<input checked="" type="checkbox"/>	<input checked="" type="checkbox"/>	180V / 200V