

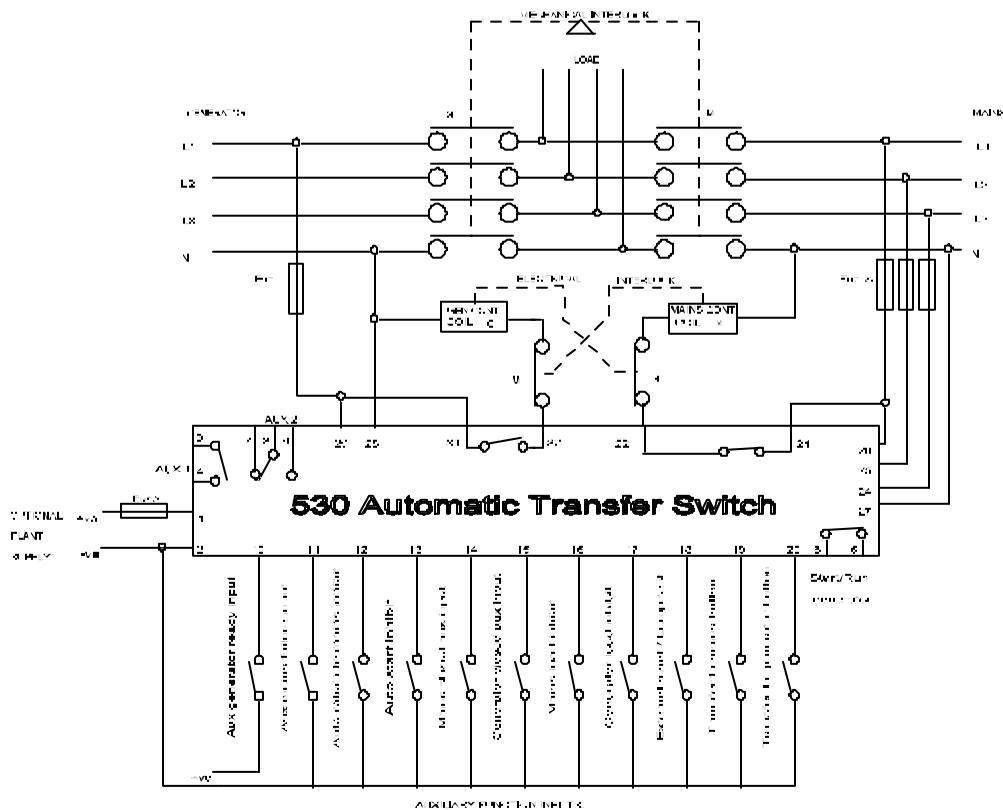
Using a 530 with no connection to plant battery

The 530 automatic transfer switch can be used in remote changeover panels where no DC supply is available. The module internally generates its own power from either the mains supply, or the generator supply, whichever is present, and by virtue of the normally closed Start/Run generator relay, when neither supply is present, the signal to start the generator is still given to the start module.

DETAILS

- The typical connection diagram of the 530 is still followed, except the connection of the plant supply to terminals 1 and 2 can be omitted. However, the digital inputs on terminals 11 to 20 must still switch to terminal 2, even though this is not connected to the battery negative terminal.
- You must re-configure *Auxiliary generator ready* to be Open to Activate, using the P808 PC software. Terminal 10 should then be left disconnected.
- Upon mains failure, the start/run signal is given almost immediately. If a start delay is required, this must be provided by the engine start module.

TYPICAL CONNECTIONS



Should you have any queries arising from this application note
please contact our Technical Department as detailed below:-

INTERNATIONAL TEL: 44 (0) 1723 377566

INTERNATIONAL FAX: 44 (0) 1723 354453

E-mail: Support@DeepSeaPlc.com