

# Deep Sea Electronics Plc

500 Series

## MODEL 506 SIX CHANNEL ANNUNCIATOR

### DESCRIPTION

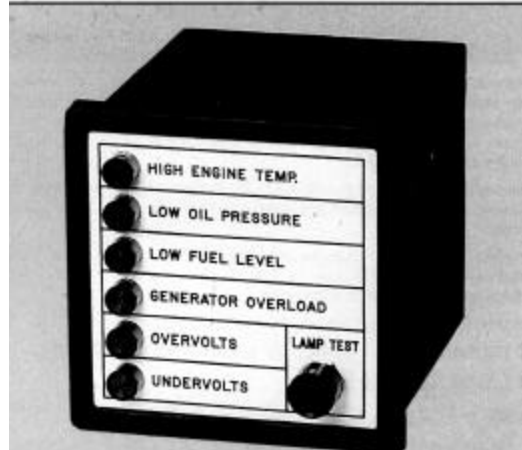
The Deep Sea Electronics 500 series of Annunciators are a reliable and low cost unit designed to be aesthetically pleasing whilst remaining functional. The Electronic circuitry and designation panel are housed in a 72 mm square plastic case with a white front panel engraved to the customers specification.

The panel carries 6 high-intensity LED indicators with specially designed diffusers to give exceptionally wide viewing angle and a LAMP TEST push button.

The indicator colours may be red, amber or green and either flashing or continuously lit. These can be arranged in any combination which the customer's application may demand.

Connections to the unit are via 8 way locking plug and socket.

- **Powerful LED indicators flashing or steady**
- **Lamp test facility**
- **High definition characters engraved to customers specification**
- **Compact 72 x 72mm unit for front panel mounting**
- **Wide view angle even in bright sunlight**



### SPECIFICATIONS

DC SUPPLY:	8 to 32 volts DC Protected against polarization errors Protected against supply born transients
SIGNAL VOLTAGES:	Negative or positive (specified on ordering)
LED INDICATORS:	250 mCd at rated voltage
VIEWING ANGLE:	Greater than 160 degrees
FLASH RATE:	Where applicable 90 per minute
CASE DIMENSIONS:	72 x 72 x 82mm
CONNECTIONS:	Plug and socket with screw terminals for up to 2mm conductors
MAXIMUM POWER CONSUMPTION:	80mA
QUIESCENT CURRENT:	10mA

### OPERATION

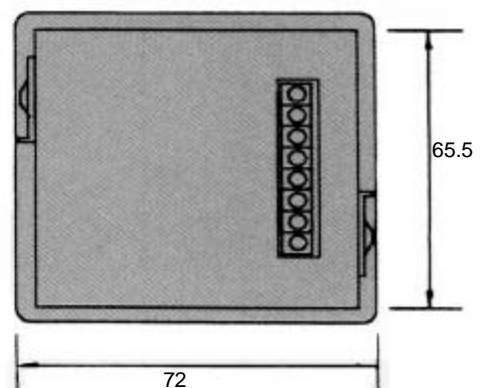
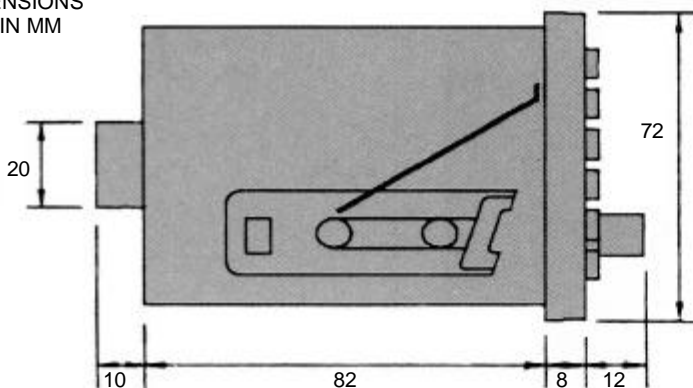
The unit is active when DC is present on the supply rails. A signal on any input will illuminate the associated LED in the pre-set mode ie flashing or steady. Further input will illuminate the remaining LEDs in their pre-set modes.

Operation of the LAMP TEST button will illuminate all LEDs in the steady mode regardless of their operation.

### CASE DIMENSIONS

REMOVAL OF THE SOCKET LEAVES THE PLUG LEVEL WITH THE REAR OF THE CASE

ALL DIMENSIONS ARE IN MM



TELEPHONE: +44 (0) 1723 377566

FAX: +44 (0) 1723 354453

E-MAIL: sales@deepseapl.com