

Deep Sea Electronics Plc

500 Series

MODEL 504 FOUR CHANNEL ANNUNCIATOR

DESCRIPTION

The Deep Sea Electronics 500 series of Annunciators are a reliable and low cost unit designed to be aesthetically pleasing whilst remaining functional. The Electronic circuitry and designation panel are housed in a 72 mm square plastic case with a white front panel engraved to the customers specification.

The panel carries 4 high-intensity LED indicators with specially designed diffusers to give exceptionally wide viewing angle and a LAMP TEST push button.

The indicator colours may be red, amber or green and either flashing or continuously lit. These can be arranged in any combination which the customer's application may demand.

Connections to the unit are via 6 way locking plug and socket.

- **Powerful LED indicators flashing or steady**
- **Lamp test facility**
- **High definition characters engraved to customers specification**
- **Compact 72 x 72mm unit for front panel**
- **Wide view angle even in bright sunlight**



SPECIFICATIONS

| | |
|----------------------------|---|
| DC SUPPLY: | 8 to 32 volts DC Protected against polarization errors Protected against supply born transients |
| SIGNAL VOLTAGES: | Negative or positive (specified on ordering) |
| LED INDICATORS: | 250 mCd at rated voltage |
| VIEWING ANGLE: | Greater than 160 degrees |
| FLASH RATE: | Where applicable 90 per minute |
| CASE DIMENSIONS: | 72 x 72 x 82mm |
| CONNECTIONS: | Plug and socket with screw terminals for up to 2mm conductors |
| MAXIMUM POWER CONSUMPTION: | 80mA |
| QUIESCENT CURRENT: | 10mA |

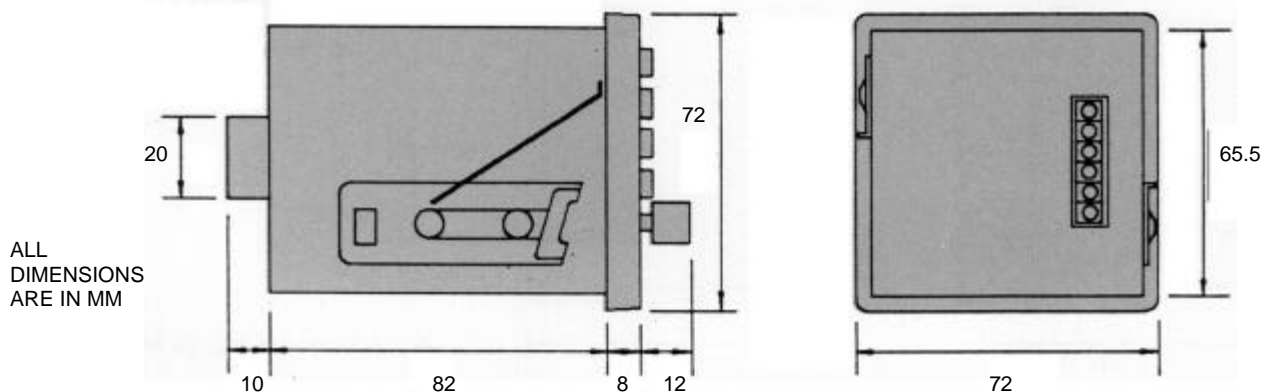
OPERATION

The unit is active when DC is present on the supply rails. A signal on any input will illuminate the associated LED in the pre-set mode ie flashing or steady. Further input will illuminate the remaining LEDs in their pre-set modes.

Operation of the LAMP TEST button will illuminate all LEDs in the steady mode regardless of their operation.

CASE DIMENSIONS

REMOVAL OF THE SOCKET LEAVES THE PLUG LEVEL WITH THE REAR OF THE CASE



TELEPHONE: +44 (0) 1723 377566

FAX: +44 (0) 1723 354453

E-MAIL: sales@deepseapl.com

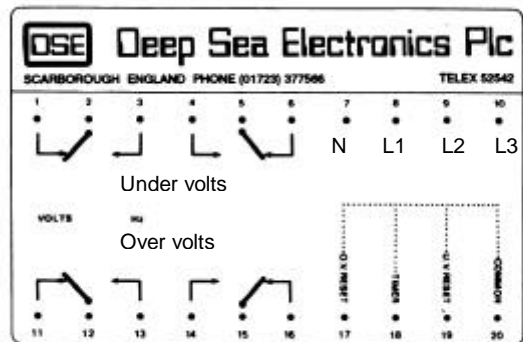
INSTALLATION

The series 300 Voltage Detection Unit is designed for control panel mounting. Line voltage connections are made to terminals 7, 8, 9 and 10 and the changeover relay contacts for use on remote trip relays are available on terminals 1 to 6 and terminals 11 to 16, as indicated on Connection Diagram.

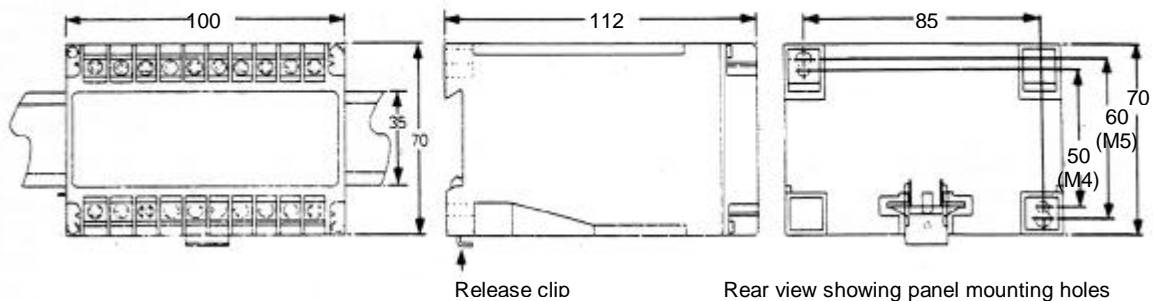
If manual reset is required, normally open push-buttons may be wired between terminals 17 and 20 (for over-volts reset) and between terminals 19 and 20 (for under-volts reset). Alternatively, it may be preferable to use a single reset push-button between terminal 20 and both 19/17.

If the automatic "Delay" function is required, a short-circuit link should be fitted between terminal 18 and 20. If this link is not fitted, operational delay on the under voltage trip will be approximately 1 second.

CONNECTION DIAGRAM



MECHANICAL DIMENSIONS



DEEP SEA ELECTRONICS PLC Mountside Park Queen Margarets Road Scarborough N Yorkshire YO11 2RH
Tel: +44(0)1723 377566 Fax: +44(0)1723 354453 E-mail: sales@deepseapl.com