



Deep Sea Electronics Plc

500 Series CONTROL MODULES

MODEL 500 AUTOMATIC TRANSFER SWITCH MODULE

DESCRIPTION

The 500 is an **automatic transfer switch control module**. It is designed to monitor the incoming AC mains supply (3 phases) for under voltage. Should this fall out of limits the module will issue a start command to the generating set controller. Once the set is available the ATS module will control the transfer devices and switch the load from the mains to the generating set. Should the mains supply return to within limits the module will command a return to the mains supply and stop requesting the generator.

A clear **mimic diagram** with 'International' symbols and LED indications provide 'at a glance' information as to supply availability and load switching status.

In the even of a Mains failure the module operation would normally be as follows:-

'Mains available' LED extinguishes and the module de-energises the 'Run Generator' Relay, causing the 'Run' contacts to close. A generator start module receives this signal and initiates the engine start.

Once the generator is running and the 'Engine Running' signal is present the 'Generator available' LED will illuminate. The module will then await the 'Load transfer' signal from the generator controller, once this is present the Module will then energise the 'Close mains' relay which causes the 'Close mains' contacts to open, thus opening the mains contactor. The 'Mains on load' LED will extinguish. After a short time delay (Transfer Delay 0.7) to allow the mains contactor to open, the 'Close generator' relay is energised causing the 'Close generator' contacts to close, thus causing the generator contactor to close. The 'Generator on load' LED will illuminate. Should the mains supply return to with-in limits the 'Mains Available' LED will illuminate and the module will energise the 'Run Generator' Relay causing the 'Run' contacts to open, on removal of the 'Load transfer' signal the 'Generator Close' relay will de-energise and the 'Generator Close' contacts will open. The 'Generator On load' LED will extinguish. Following the 'transfer delay' the module will de-energise the 'Mains close' relay and the 'Close mains' contacts will close. The 'Mains On Load' LED will illuminate. When the 'Engine Running' signal is removed the module will then extinguish the 'Generator Available' LED. The module will then await the next mains failure event.

The 500 ATS module is intended to be used with the DSE 52x range of Remote start controllers. The 'RUN' contacts connect to the 'Remote Start' input and 'ENGINE RUNNING' and 'LOAD TRANSFER' are fed from Relay outputs on the 52x configured accordingly. Sequence timers (Start Delay, Warm-up, Stop Delay and Cooling) are configured in the 52x module.

11/24/00 500sales_leaflet.doc Issue 3 MR

SPECIFICATION



DC SUPPLY :

The module DC is powered from the plant battery or from a low voltage supply between 8 to 35V Continuous. It is able to operate at 0V for 50ms during cranking, providing supply was at least 10V before dropout and supply recovers to 5V. This is achieved without the need for internal batteries.

MAX. OPERATING CURRENT :

85mA @ 12V, 92mA @ 24V.

1 LOW VOLTAGE AUXILIARY RELAY CONTACT :

5Amp DC rated - NC connected internally to -Ve.

2 MAINS RATED RELAY CONTACTS :

8Amp RMS rated 1 of each -

NO (Voltage Free)

NC (Voltage Free)

DIMENSIONS :

72 x 72 x 76 DIN STANDARD.

OPERATING TEMPERATURE RANGE :

-30 to +70°C

INDICATIONS :

Mains Available LED (Green)

Mains on Load LED (Amber)

Generator Available LED (Green)

Generator On load LED (Amber)

OPERATING VOLTAGE :

100-300V NOMINAL RMS Input Range.

Mains Trip 75V-275V AC RMS (Adjusted via a potentiometer accessible from the rear of the module.)

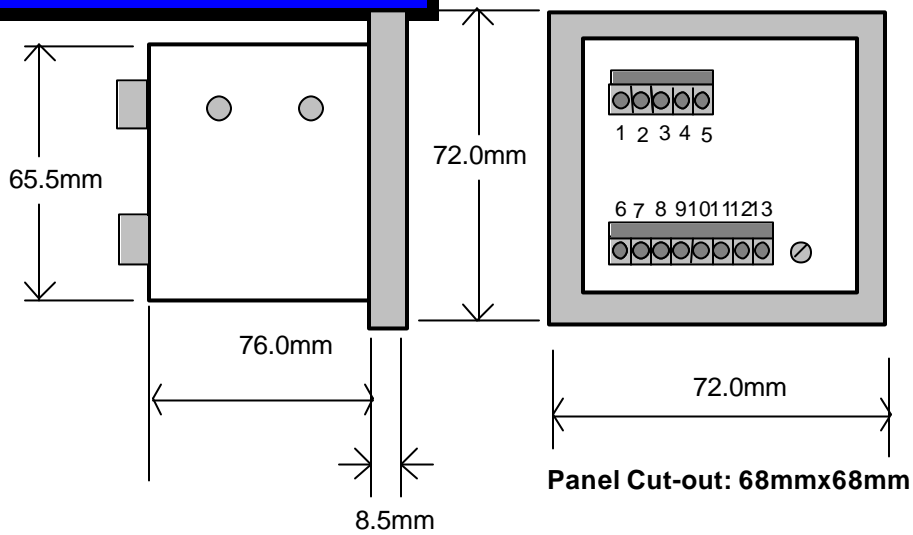
TRANSFER DELAY :

0.8Sec (+/- 0.1sec) (Fixed)

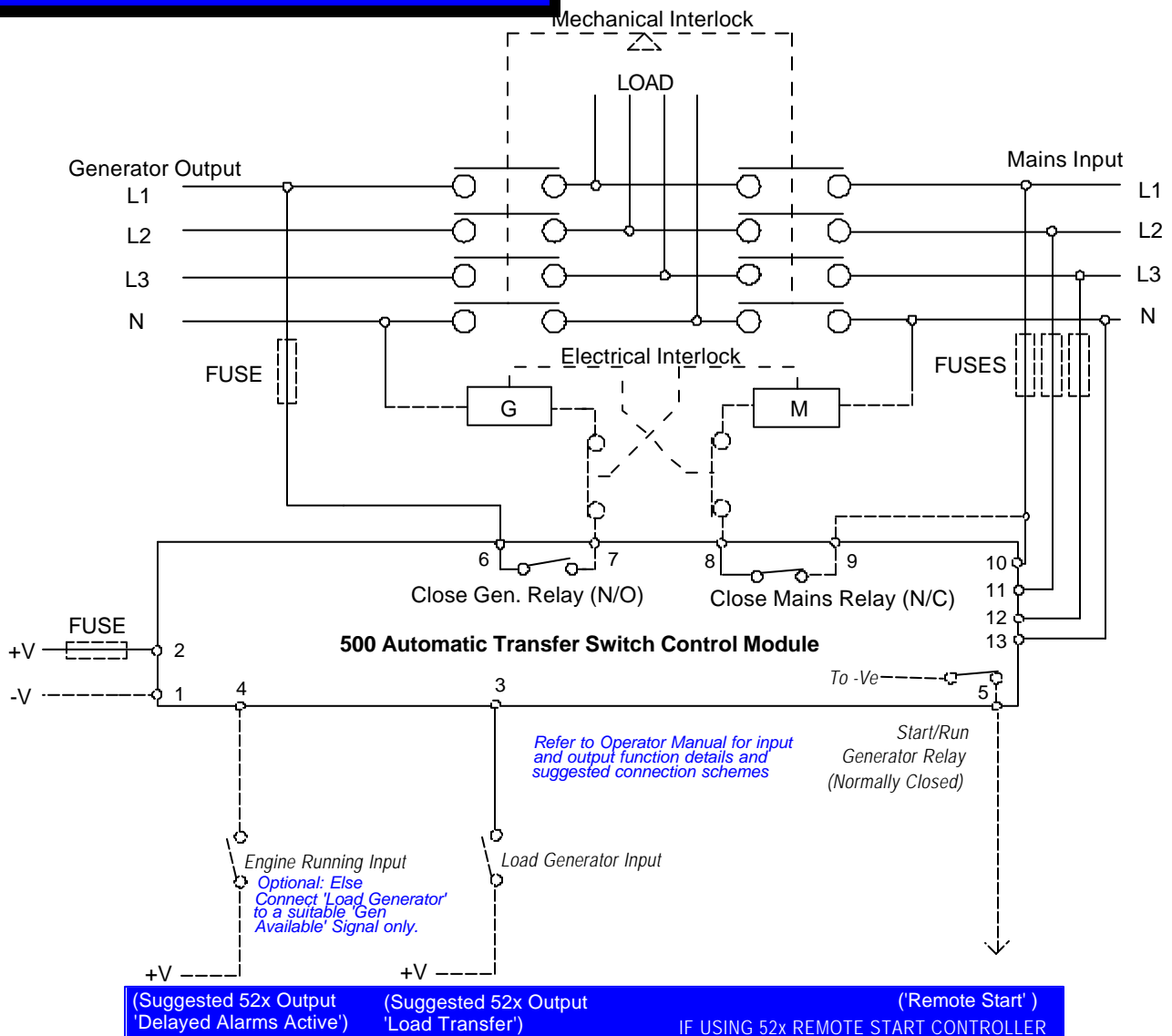
The module is mounted in a robust plastic case, connection to the module is via plug and socket connectors.

Though intended for connection to the DSE range of engine controllers. The flexibility of the module allows it to be connected directly to a range of commercially available and custom built generator control systems.

CASE DIMENSIONS



TYPICAL CONNECTIONS



Deep Sea Electronics Plc

Mountside Park, Queen Margarets Road,
Scarborough, YO11 2RH. ENGLAND

Tel:- +44 (0)1723 377566 Fax:- +44 (0)1723 354453 E-Mail:- sales@deepseapl.com