

# Deep Sea Electronics Plc

200 series CONTROL MODULES

## MODEL 204 UNDER VOLTAGE SWITCH

### DESCRIPTION

The Deep Sea Electronics Model 204 UNDER VOLTAGE SWITCH has been designed to monitor a 3 phase and

neutral supply voltage. The relay will be de-energised if any of the monitored voltages fall below the adjustable

trip.

- Monitors all 3 phase-neutral voltages
- 6 amp D.P.D.T. output relay
- LED - indication for relay on
- Housed in compact plug-in plastic housing



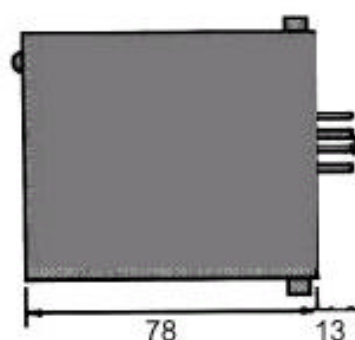
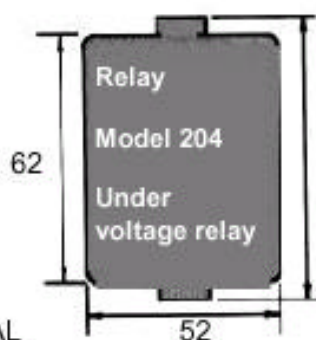
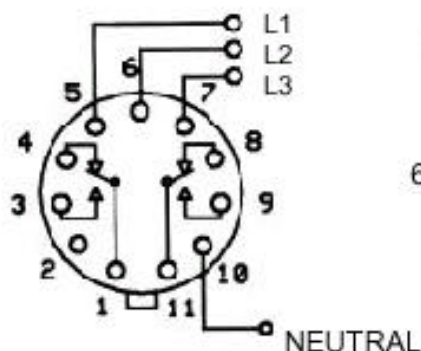
### SPECIFICATION

VOLTAGE RANGE:	100v to 300v specified on ordering
FREQUENCY:	50Hz or 60Hz specified on ordering
OVERLOAD:	(Continuous) 1, 2 times ratesvalue (10 seconds) 1.5 times rates value
TRIP VOLTAGE LEVEL:	Adjustable
HYSTERESIS:	8%
REPEATABILITY OF TRIP:	0.5%
RESPONSE TIME:	Approximately 500ms
RELAY CONTACT RATINGS:	Maximum current 6 amp resistive Maximum voltage 380 AC 2 pole change over

### OPERATION

The system becomes active when the unit is connected to a 3 phase and neutral supply. The relay stays energised as long as all 3 phase-neutral voltages are above the voltage limit. The Trip/Return Hysteresis is factory set. Should one or more of the phase-neutral voltages fall below the trip level, the relay will be de-energised and the relay LED will be switched off. When all 3 phase-neutral voltages have returned to above the return voltages level the relay will be energised and the relay LED will be illuminated.

### CASE DIMENSIONS



ALL DIMENSIONS ARE IN MM

TELEPHONE +44 (0) 1723 377566 FAX +44 (0) 1723 354453